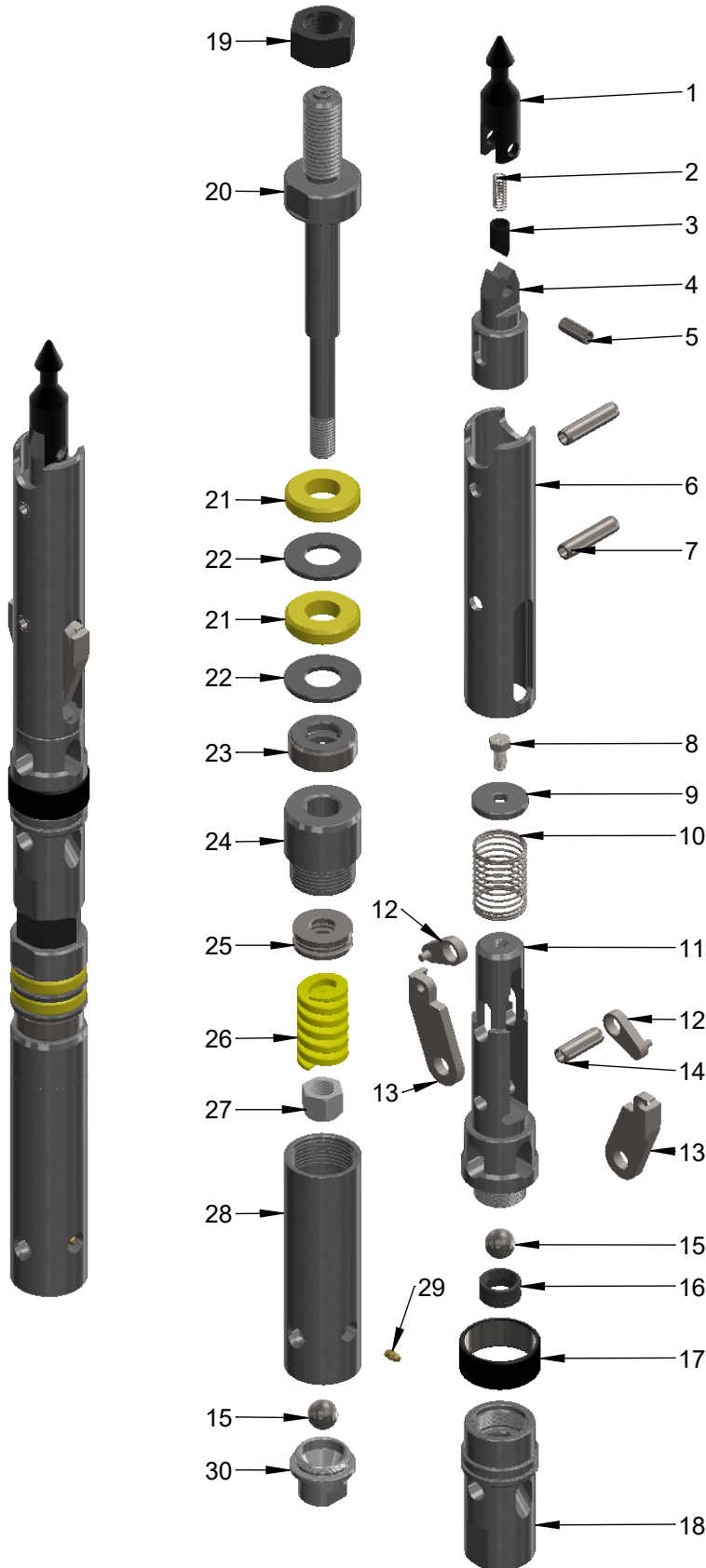


Name:

# NWL-LL Head assembly

Part No:

4653862



Item No.	Part. No.	Description	Qty.
1	53024	Spear head point	1
2	26252	Spring compression	1
3	53025	Detent plunger	1
4	4651430	NWL Spearhead base	1
5	53016	Spirol pin 7/16" x 1"	1
6	417566	NWL Case latch retracting	1
7	35416	Spring pin 1/2" x 2"	2
8	4652043	Nyloc bolt 3_8 16 UNC x 3_4	1
9	417133	NWL Washer	1
10	4653923	NWL Latch compression spring	1
11	4652889	NWL Upper latch body	1
12	417565	NWL Link	2
13	215927	NWL Latch	2
14	35659	Spring pin 1/2" x 1-1/2"	1
15	73485	SS Ball 22 mm	2
16	73491	Landing indicator bushing	1
17	417110	NWL Landing shoulder	1
18	417119	NWL/ NWLU Lower latch body	1
19	35996	Hex nut 1-1_8 (7 UNC)	1
20	35997	NWL Spindle	1
21	55310	NWL Shut off valve hard	2
22	35999	NWL Valve adjusting washer	2
23	35423	Thrust bearing	1
24	35990	NWL Spindle bushing	1
25	29309	Hanger bearing	1
26	35424	NWL Compression spring	1
27	33029	Lock nut 3/4 (10 UNC)	1
28	51788	NWL Inner tube cap	1
29	28558	Grease fitting	1
30	51513	Body check valve	1

