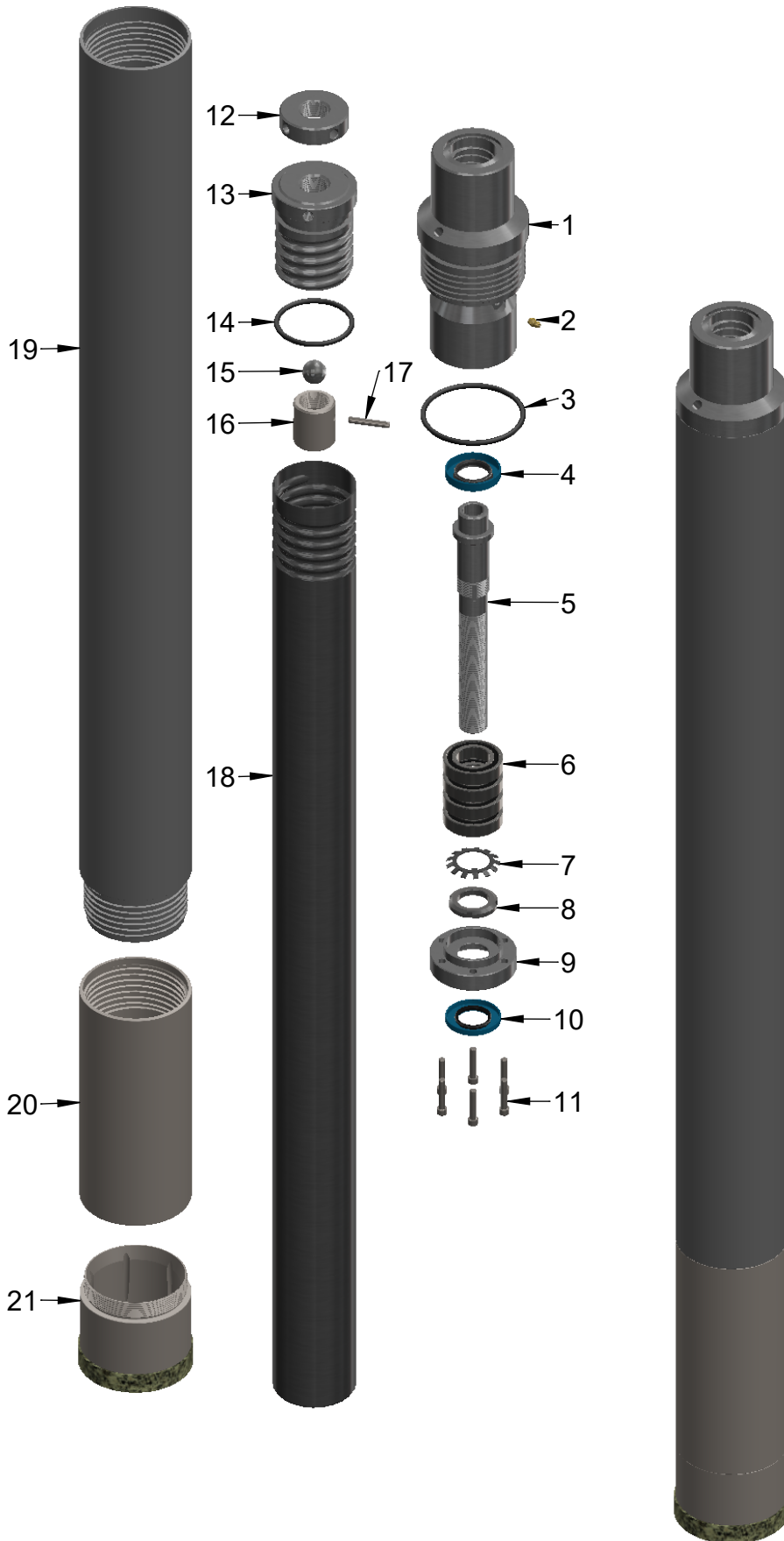


Name:

Denison 3" core barrel assembly

Part No:

4393200



Item No.	Part. No.	Description	Qty.
1	4393201	Core barrel head	1
2	4393202	Grease fitting	1
3	4393203	Head O'ring	1
4	4393206	Head seal	1
5	4393205	Head spindle	1
6	4393206	Ball bearing	4
7	4393207	Nut washer	1
8	4393208	Spindle nut	1
9	4393209	Head cap	1
10	4393210	Cap seal	1
11	4393211	Cap screw socket head 1/4" x 1" 20 UNC	6
12	4393212	Adjusting nut	1
13	4393213	Head tube	1
14	4393214	Head tube o'ring	1
15	4293215	Ball 7/8" CS	1
16	4293216	Retention valve	1
17	4293217	Retention valve pin spring 1/4" x 1-1/2"	1
18	4393218	3" Shelby tube	1
19	4393219	Core barrel outer tube	1
20	4393220	Adapter coupling	1
21	4393221	Carbide core bit	1

